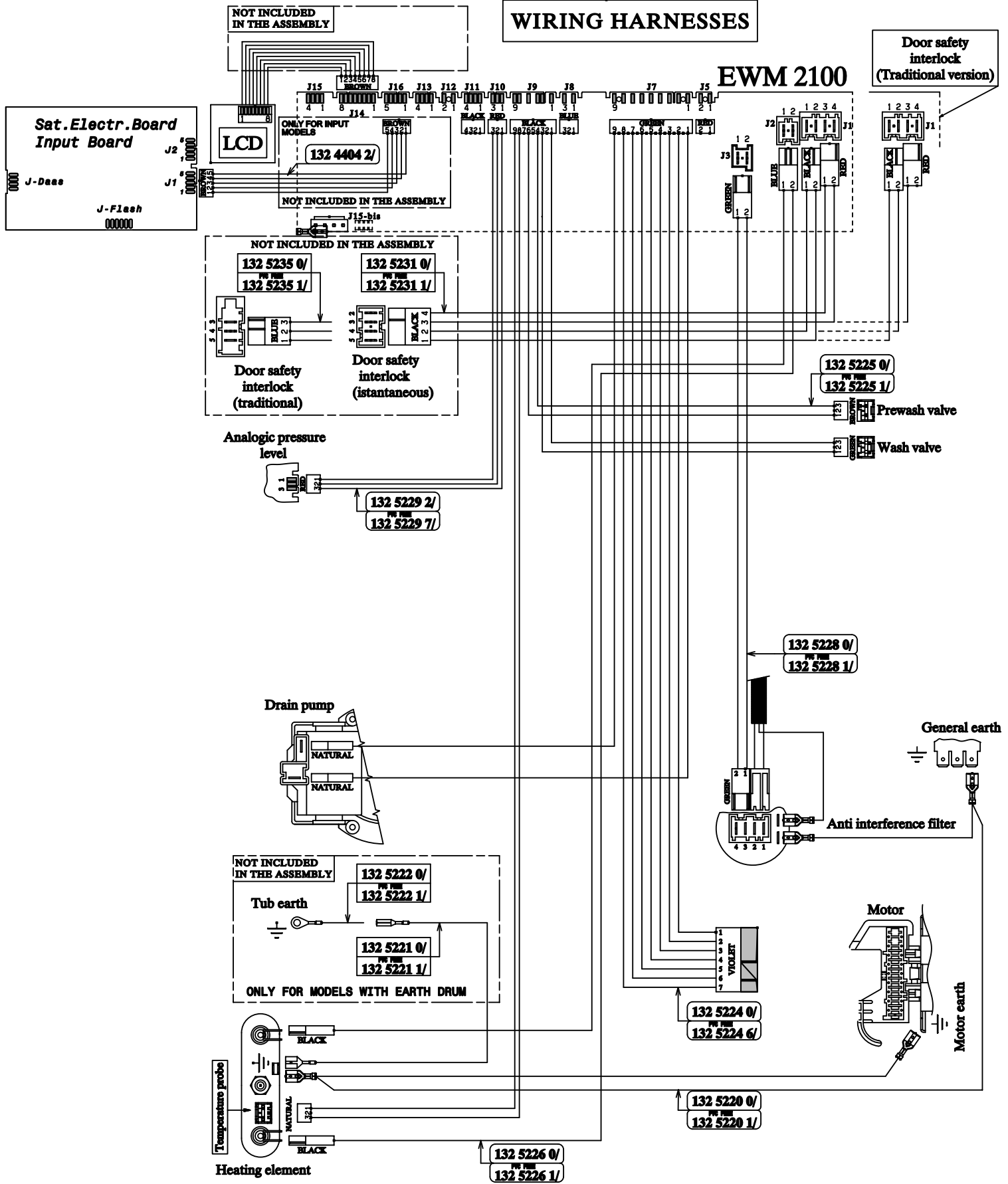
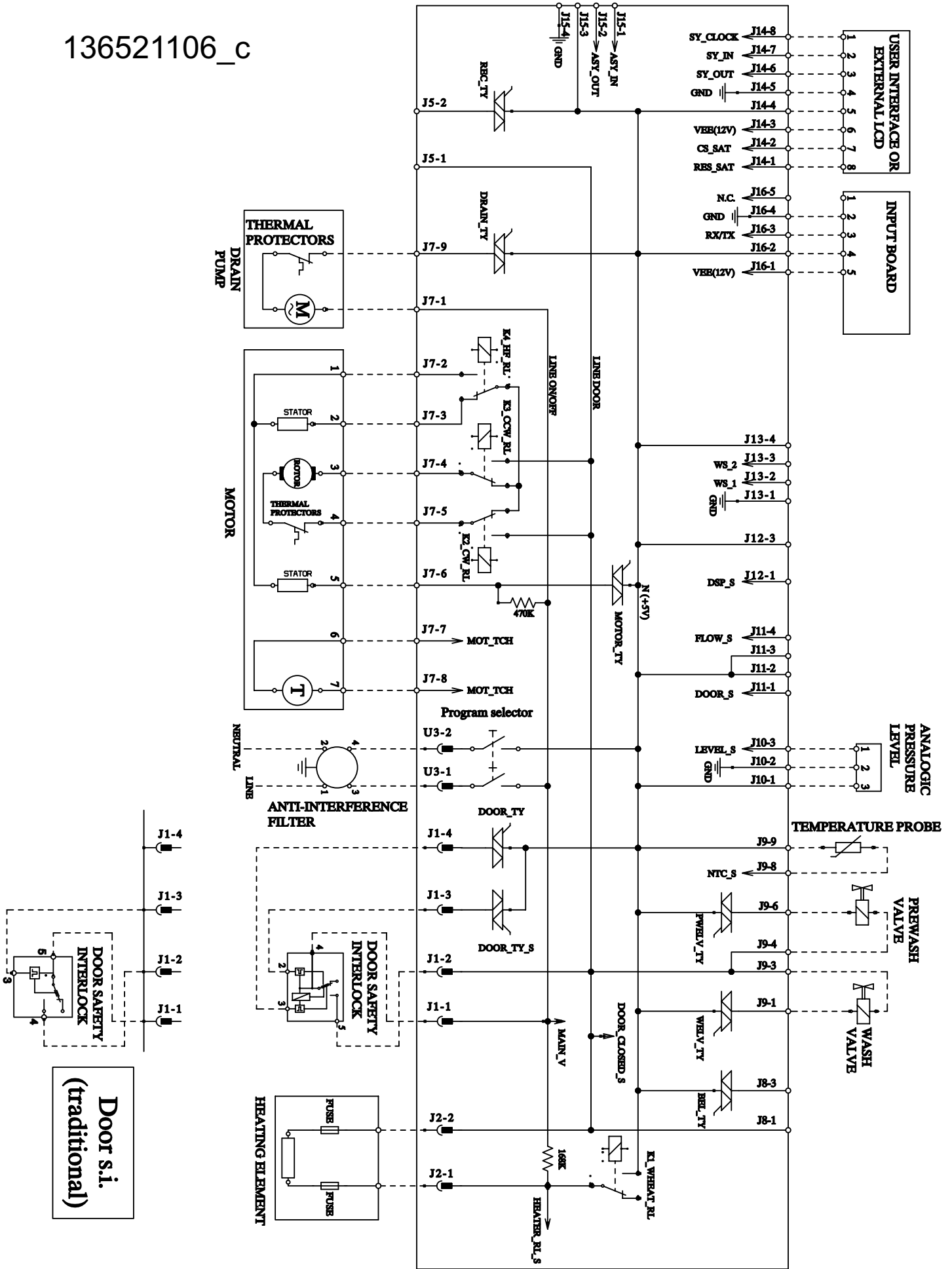


WIRING HARNESSES





**ELECTRIC DIAGRAM -EWM 2100**